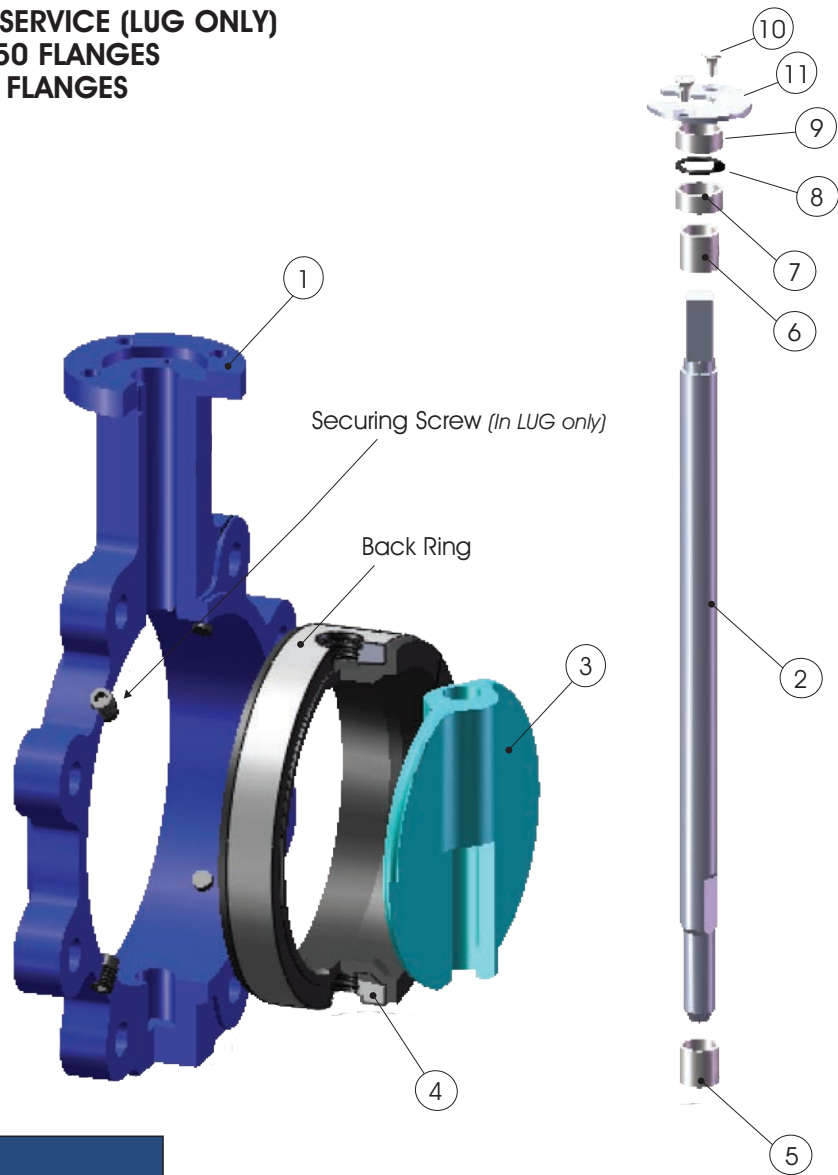


200 PSI RATING (11/2"-12")
150 PSI RATING (14"-48")
EPOXY COATED BODY
PINLESS DISC/STEM DESIGN (11/2"-12")
BI-DIRECTIONAL
SUITABLE FOR END OF THE LINE SERVICE (LUG ONLY)
FOR USE WITH CLASS 125 OR 150 FLANGES
CAN BE USED WITH ASME B16.5 FLANGES
WITHOUT SEPARATION GASKETS
LOCKABLE HANDLE
ISO 5211 MOUNTING PAD
MSS SP-25 MARKING
MSS SP-67
API 609

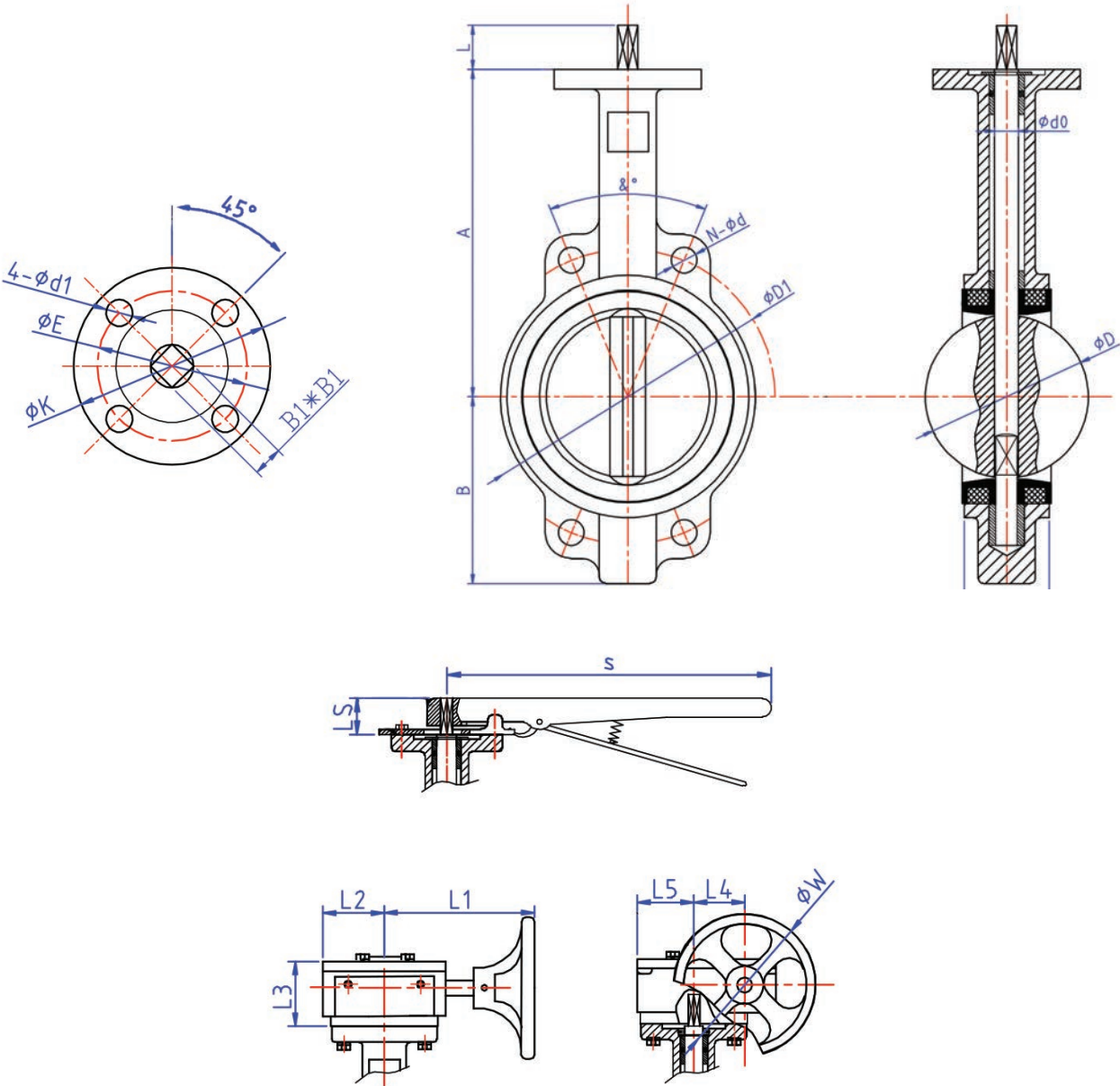
Series 55



PARTS & MATERIAL

PART NO.	PART NAME	MATERIAL
1	Body	Ductile Iron ASTM A536 Cast Iron ASTM A126B
2	Shaft	416 Stainless Steel ASTM A276
3	Disc	316 Stainless Steel ASTM A351 CF8M Aluminum Bronze B148-C954 Nylon Coated Ductile Iron
4	Seat	EPDM, Buna-N Viton®
5	Lower Bushing	PTFE
6	Middle Bushing	PTFE
7	Upper Bushing	PTFE
8	O-Ring	NBR
9	Retainer	Steel ASTM A283
10	Retainer Bolts	Steel ASTM A283
11	Stop Cover	Carbon Steel

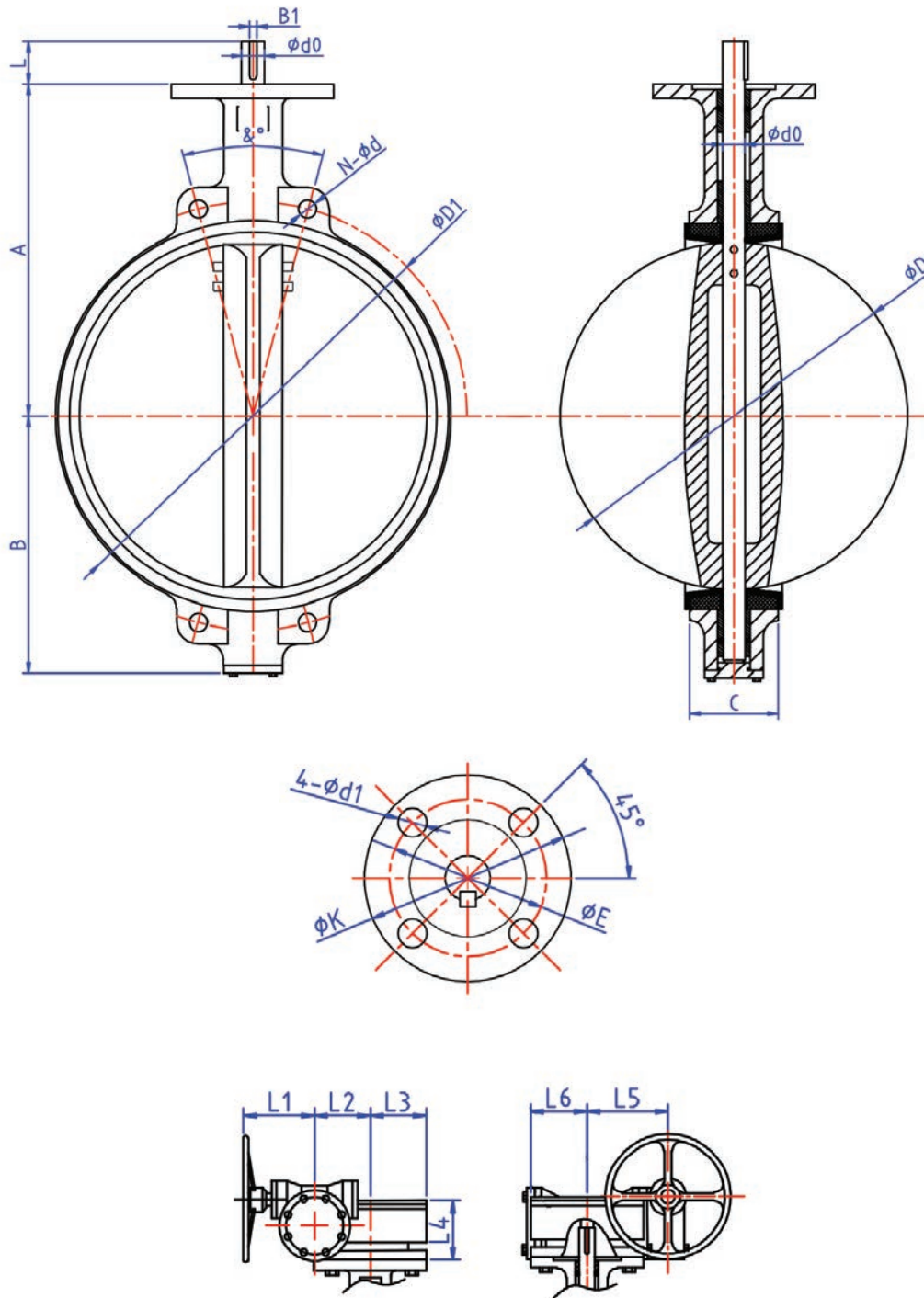
WAFER BUTTERFLY VALVE 1 1/2"-14"



DIMENSIONS (INCHES)

SIZE	A	B	C	D	d0	B1	L	D1	N-Ød	& °	1S05211	ØK	ØE	N-Ød1	S	LS	W	L1	L2	L3	L4	L5
1.5"	4.72	2.76	1.34	1.65	0.50	0.35	1.02	3.88	4-0.63	90°	F05	2.56	1.96	4-0.28	8.66	1.02	-	-	-	-	-	-
2"	6.34	3.15	1.65	2.08	0.50	0.35	1.02	4.74	4-0.75	90°	F05	2.56	1.96	4-0.28	8.66	1.02	5.91	5.98	2.05	2.95	1.77	2.05
2.5"	6.89	3.50	1.76	2.54	0.50	0.35	1.02	5.49	4-0.75	90°	F05	2.56	1.96	4-0.28	8.66	1.02	5.91	5.98	2.05	2.95	1.77	2.05
3"	7.13	3.74	1.78	3.10	0.50	0.35	1.02	6.00	4-0.75	90°	F05	2.56	1.96	4-0.28	8.66	1.02	5.91	5.98	2.05	2.95	1.77	2.05
4"	7.87	4.49	2.05	4.09	0.62	0.43	1.10	7.50	4-0.75	45°	F07	3.54	2.76	4-0.39	10.24	1.10	5.91	5.98	2.05	2.95	1.77	2.05
5"	8.39	5.00	2.14	4.85	0.74	0.55	1.10	8.50	4-0.89	45°	F07	3.54	2.76	4-0.39	10.24	1.10	5.91	5.98	2.05	2.95	1.77	2.05
6"	8.90	5.47	2.20	6.11	0.74	0.55	1.10	9.51	4-0.89	45°	F07	3.54	2.76	4-0.39	10.24	1.10	5.91	5.98	2.05	2.95	1.77	2.05
8"	10.24	6.89	2.39	7.97	0.87	0.67	1.50	11.75	4-0.89	45°	F10	4.92	4.02	4-0.47	13.98	1.50	11.81	9.84	2.95	3.39	2.48	2.95
10"	11.50	7.99	2.58	9.86	1.12	0.86	1.50	14.25	4-1.00	30°	F10	4.92	4.02	4-0.47	13.98	1.50	11.81	9.84	2.95	3.39	2.48	2.95
12"	13.27	9.53	3.03	11.87	1.24	0.86	1.57	17.01	4-1.00	30°	F10	4.92	4.02	4-0.47	19.88	1.57	11.81	8.94	3.19	3.27	3.19	3.19
14"	14.49	10.51	3.07	13.12	1.24	0.87	1.65	18.76	4-1.12	30°	F10	4.92	4.02	4-0.47	-	-	11.81	8.94	3.19	3.27	3.19	3.19

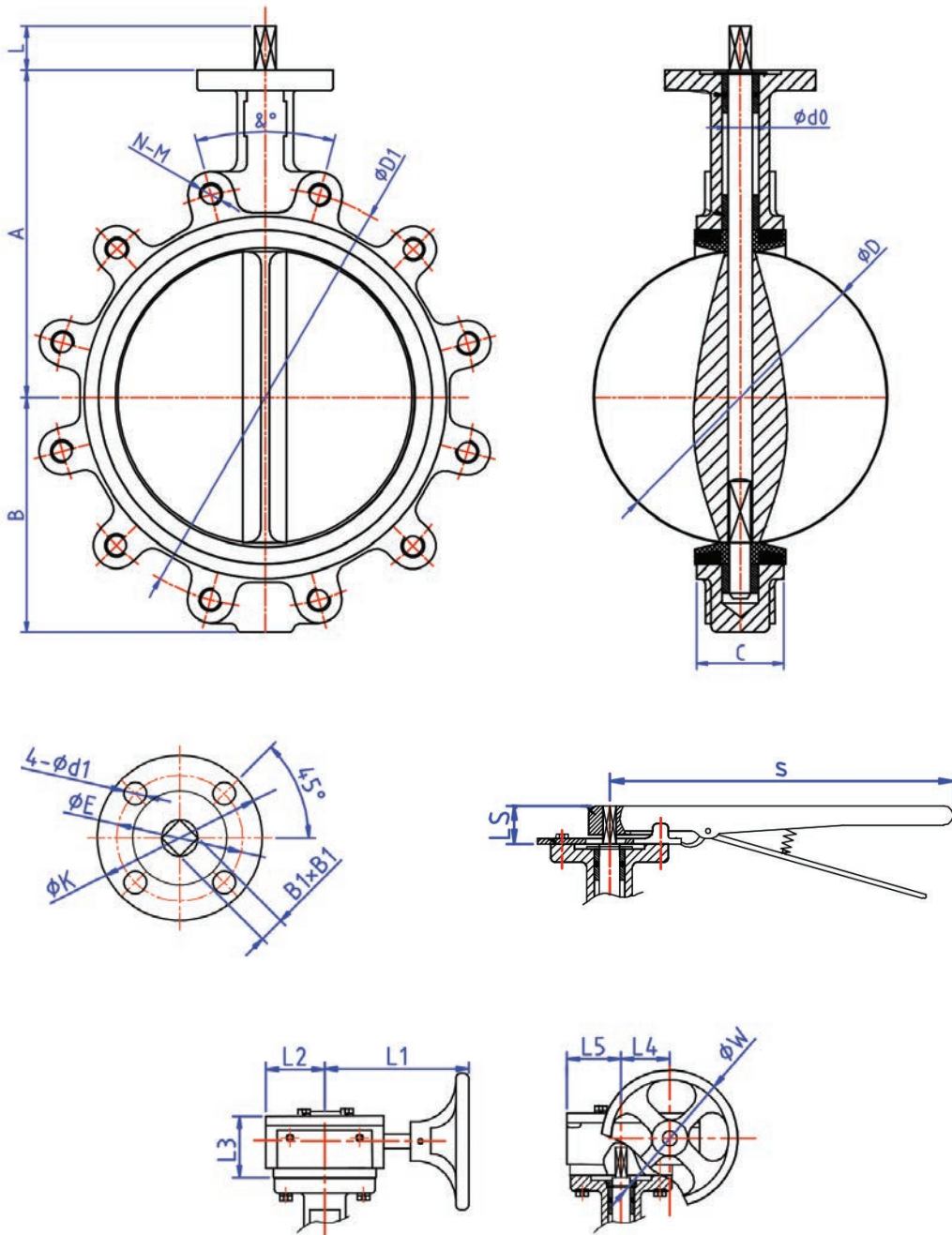
WAFER BUTTERFLY VALVE 16"-24"



DIMENSIONS (INCHES)

SIZE	A	B	C	D	L	B1	D1	N- ϕd	$\&^\circ$	1S05211	ϕK	ϕE	N- $\phi d1$	L1	L2	L3	L4	L5	L6
16"	15.94	12.64	4.02	15.34	1.97	03.94	21.26	4-1.12	22.5°	F14	6.89	5.51	4-0.71	6.30	3.70	4.07	4.33	7.13	4.07
18"	16.61	12.91	4.49	17.34	1.97	03.94	22.76	4-1.26	22.5°	F14	6.89	5.51	4-0.71	6.30	3.70	4.07	4.33	7.13	4.07
20"	18.90	14.21	5.00	19.35	2.36	03.94	25.00	20-1.26	18°	F14	6.89	5.51	4-0.71	6.30	3.70	4.07	4.33	7.13	4.07
24"	22.13	18.07	5.98	23.33	2.36	0.63	29.51	20-1.38	18°	F16	8.27	6.50	4-0.91	6.93	4.92	5.16	5.04	7.85	5.16

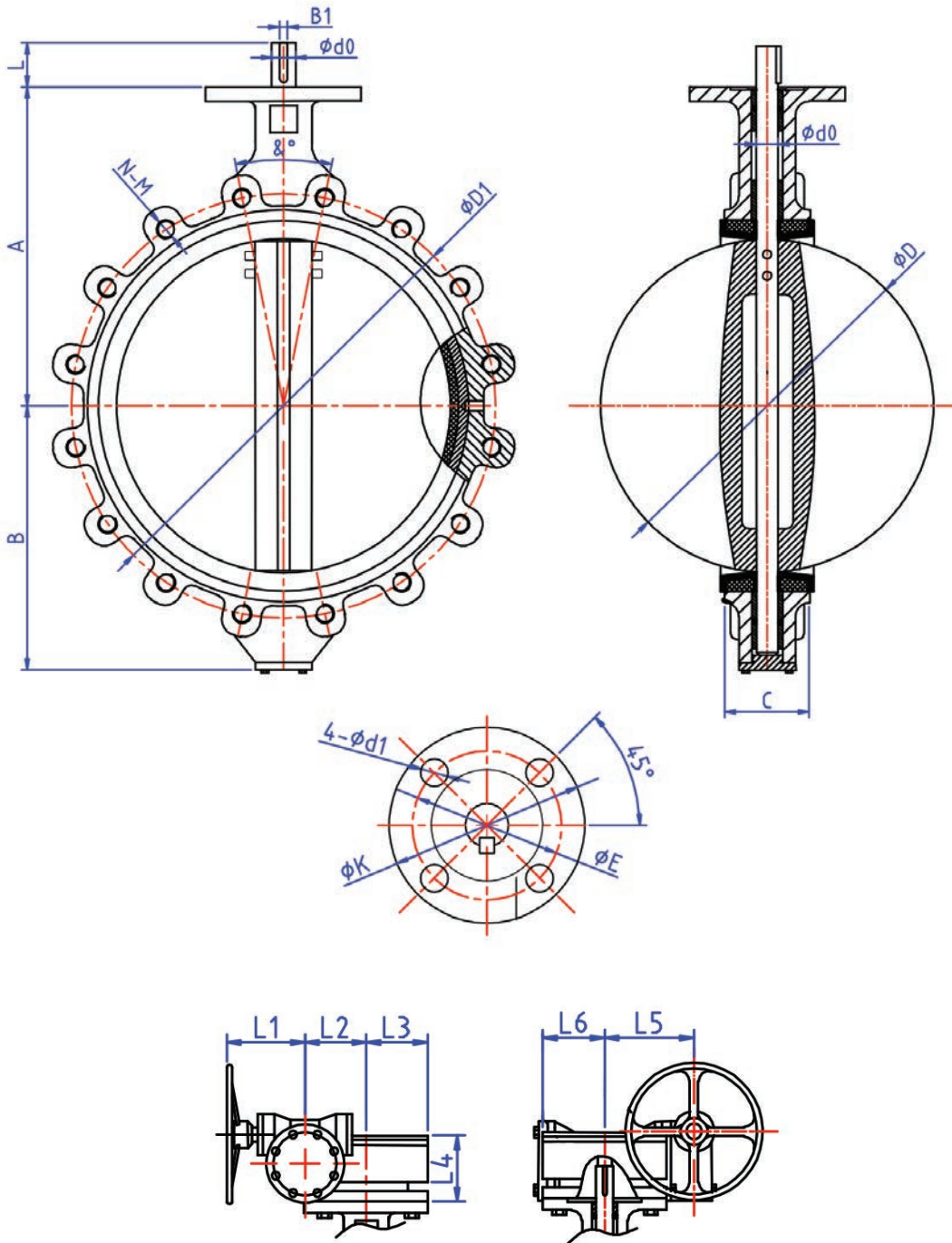
LUG BUTTERFLY VALVE 2"-14"



DIMENSIONS (INCHES)

SIZE	A	B	C	D	d0	B1	L	D1	N-M	$\&^\circ$	1S05211	ϕK	ϕE	N- $\phi d1$	S	LS	W	L1	L2	L3	L4	L5
2"	6.34	3.15	1.65	2.09	0.50	0.35	1.02	4.74	4-5/8	90°	F05	2.56	1.97	4-0.28	8.66	1.02	5.91	5.98	2.05	2.95	1.77	2.05
2.5"	6.89	3.50	1.76	2.56	0.50	0.35	1.02	5.49	4-5/8	90°	F05	2.56	1.97	4-0.28	8.66	1.02	5.91	5.98	2.05	2.95	1.77	2.05
3"	7.13	3.74	1.78	3.11	0.50	0.35	1.02	6.00	4-5/8	90°	F05	2.56	1.97	4-0.28	8.66	1.02	5.91	5.98	2.05	2.95	1.77	2.05
4"	7.87	4.49	2.05	4.09	0.62	0.43	1.10	7.50	8-5/8	45°	F07	3.54	2.76	4-0.39	10.24	1.10	5.91	5.98	2.05	2.95	1.77	2.05
5"	8.39	5.00	2.14	4.85	0.74	0.55	1.10	8.50	8-3/4	45°	F07	3.54	2.76	4-0.39	10.24	1.10	5.91	5.98	2.05	2.95	1.77	2.05
6"	8.90	5.47	2.20	6.11	0.74	0.55	1.10	9.51	8-3/4	45°	F07	3.54	2.76	4-0.39	10.24	1.10	5.91	5.98	2.05	2.95	1.77	2.05
8"	10.24	6.89	2.39	7.97	0.87	0.67	1.50	11.75	8-3/4	45°	F10	4.92	4.02	4-0.47	13.98	1.50	11.81	9.84	2.95	3.39	2.48	2.95
10"	11.50	7.99	2.58	9.86	1.12	0.86	1.50	14.25	12-7/8	30°	F10	4.92	4.02	4-0.47	13.98	1.50	11.81	9.84	2.95	3.39	2.48	2.95
12"	13.27	9.53	3.03	11.87	1.24	0.86	1.57	17.01	12-7/8	30°	F10	4.92	4.02	4-0.47	13.98	1.57	11.81	8.94	3.19	3.27	3.19	3.19
14"	14.49	10.51	3.01	13.12	1.24	0.87	1.65	18.76	12-1	30°	F10	4.92	4.02	4-0.47	-	-	11.81	8.94	3.19	3.27	3.19	3.19

LUG BUTTERFLY VALVE 16"-24"



SIZE	A	B	C	D	L	B1	N-M	$\&^\circ$	1S05211	ϕK	ϕE	N- $\phi d1$	L1	L2	L3	L4	L5	L6
16"	15.75	12.17	4.02	15.34	1.97	0.394	16-1	22.5°	F14	6.89	5.51	4-0.71	6.30	3.70	4.07	4.33	7.13	4.07
18"	16.61	13.39	4.49	17.34	1.97	0.394	16-1/8	22.5°	F14	6.89	5.51	4-0.71	6.30	3.70	4.07	4.33	7.13	4.07
20"	18.90	14.21	5.00	19.35	2.36	0.394	20-1/8	18°	F14	6.89	5.51	4-0.71	6.30	3.70	4.07	4.33	7.13	4.07
24"	22.13	18.07	5.98	23.33	2.56	0.63	20-1/4	18°	F16	8.27	6.50	4-0.91	6.93	4.92	5.16	5.04	7.85	5.16

Technical Data

SIZE	Gear Op		CV									Torque			
	Output in -Lbs	Gear Ratio	10°	20°	30°	40°	50°	60°	70°	80°	90°	50 psi	100 psi	150 psi	200 psi
1.5"	1325	24:1	0.06	3	7	14	25	36	51	70	76	60	70	80	100
2"	1325	24:1	0.06	3	7	15	27	44	70	105	115	110	115	125	135
2.5"	1325	24:1	0.1	6	12	25	45	75	119	178	196	115	125	135	150
3"	1325	24:1	0.2	9	18	39	70	116	183	275	302	170	180	195	205
4"	1325	24:1	0.3	17	36	78	139	230	364	546	600	285	295	330	355
5"	1325	24:1	0.5	29	61	133	237	392	620	930	1022	435	460	515	550
6"	1325	24:1	0.8	45	95	205	366	605	958	1437	1579	685	755	835	905
8"	4425	30:1	2	89	188	408	727	1202	1903	2854	3136	1230	1380	1535	1700
10"	4425	30:1	3	151	320	694	1237	2047	3240	4859	5340	1985	2275	2535	2860
12"	10620	50:1	4	234	495	1072	1911	3162	5005	7507	8250	2960	3420	3800	4340
14"	10620	50:1	6	338	715	1549	2761	4568	7230	10844	11917	3745	4385	4870	5535
16"	22120	532:1	8	464	983	2130	3797	6282	9942	14913	16388	5035	6135	6815	7490
18"	22120	532:1	11	615	1302	2822	5028	8320	13168	19752	21705	6620	8065	8960	10010
20"	22120	532:1	14	791	1647	3628	6465	10698	16931	25396	27908	8710	10755	11950	12665
24"	35400	640:1	22	1222	2587	5605	9989	16528	26157	39236	43116	13375	16820	18685	20365

SEAT MATERIAL	TEMPERATURE RATING °F
EPDM (1 1/2"-16")	-30°F to 275°F
EPDM (18" & Above)	-30°F to 225°F
Buna-N	0°F to 212°F
Neoprene	+20°F to 200°F
PTFE Over Buna-N. (125 PSI 2"-12").	+40°F to 250°F

